

Cooled Photodiode Extended InGaAs

1.2 – 2.6 μm



DATASHEET

BUY NOW



The CPOD serials cooled extended InGaAs photodiode provides ultra-low noise for detecting near-infrared light in the 1.2-2.6 μm range. These detectors are hermetically sealed to ensure longevity. Within the detector package, a thermoelectric cooler is integrated with options of 1, 2, and 3 stages, as well as integration with a MEMS chopper, significantly reducing background noise while maintaining a compact format. Additionally, a driving PCB with an amplifier is available for convenient use.

Features

- 1.2 – 2.6 μm
- Low Noise
- High Sensitivity
- Hermetic Sealed Detector
- MEMS Chopper Integration Option

Applications

- OEM
- Lab user
- Instruments

Specifications

Parameter	Min	Typical	Max	Unit	
Central Wavelength	1200		2550	nm	
Sensor Active Diameter	0.3	1	2	mm	
Responsivity (@2300nm)	>0.9	>0.9	>0.9	A/W	
Dark Current (@0.5V)	-10 °C	<4	<8	<40	nA
	-20 °C	<0.5	<4	<30	
	-40 °C	<0.3	<2	<20	
NEP (@1550nm)	-10 °C	<1	<2	>5	$10^{-12}\text{W}/\text{VHz}$
	-20 °C	<0.4	<0.7	>1	
	-40 °C	<0.2	<0.4	>0.5	
Shunt Resistance (@10mV)	-10 °C	>15	>3	>1	K ohms
	-20 °C	>400	>60	>20	
	-40 °C	>7000	>1100	>350	
Cut Off Frequency (@1V)	50	15	5	MHz	
Capacitance (@0V)	60	200	800	pF	
Reverse Voltage	5	5	5	V	
Operating Temperature	-40		75	°C	
Storage Temperature	-50		85	°C	
TEC Cooler Power	-10 °C	<1V@2A	<1V@2A	<2V@1.3A	W
	-20 °C	<0.8V@1.3A	<0.8V@1.3A	<0.8V@1.4A	
	-40 °C	<0.8V@2.3A	<0.8V@2.3A	<0.8V@2.3A	

Note: The specifications provided are for general applications with a cost-effective approach. If you need to narrow or expand the tolerance, coverage, limit, or qualifications, please [\[click this link\]](#):



Legal notices: All product information is believed to be accurate and is subject to change without notice. Information contained herein shall legally bind Agiltron only if it is specifically incorporated into the terms and conditions of a sales agreement. Some specific combinations of options may not be available. The user assumes all risks and liability whatsoever in connection with the use of a product or its application.

Rev 06/19/24

© Photonwares Corporation

P +1 781-935-1200

E sales@photonwares.com

W www.agiltron.com

Information contained herein is deemed to be reliable and accurate as of the issue date. Photonwares reserves the right to change the design or specifications at any time without notice. Agiltron is a registered trademark of Photonwares Corporation in the U.S. and other countries.

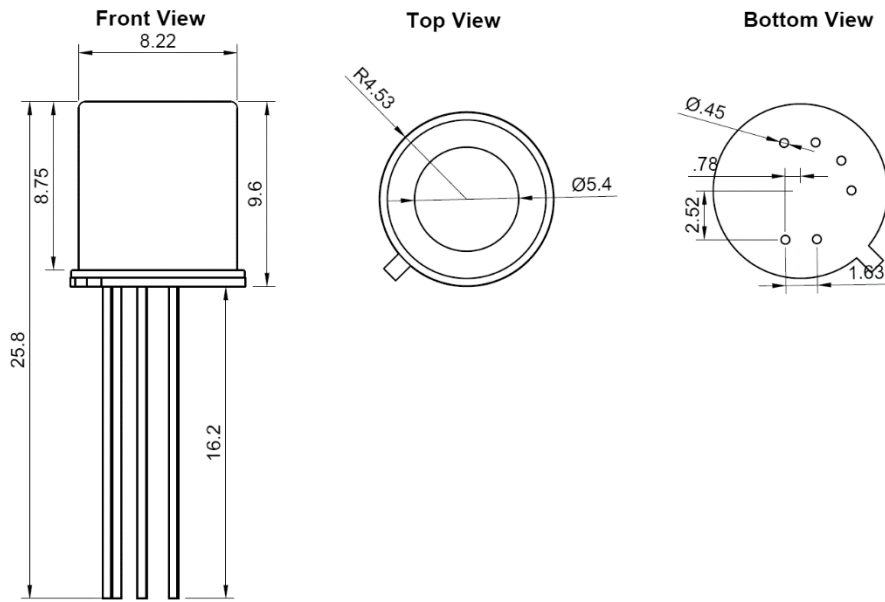
Cooled Photodiode Extended InGaAs

1.2 – 2.6 μm



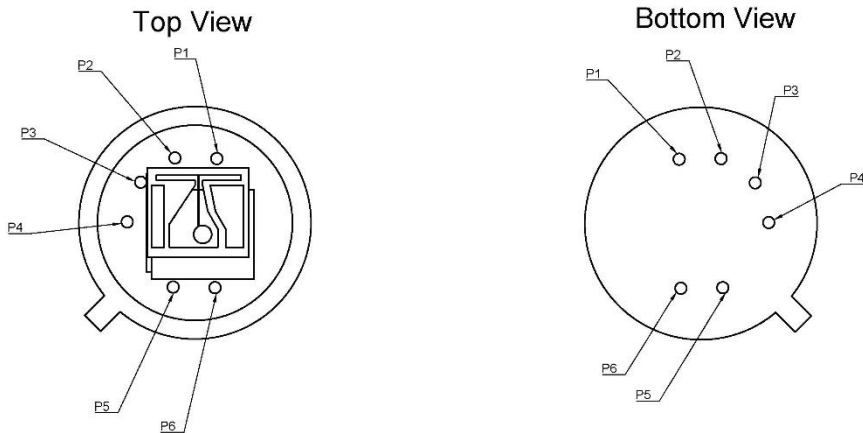
DATASHEET

Mechanical Dimensions For Single and Dual Stage TEC Cooling (mm)



*Product dimensions may change without notice. This is sometimes required for non-standard specifications.

Contacts Assignment



PIN NUMBER	ASSIGNMENT
P1	Shutter ; Thermistor
P2	Shutter ; Thermistor
P3	TEC (-)
P4	TEC (+)
P5	Anode
P6	Cathode

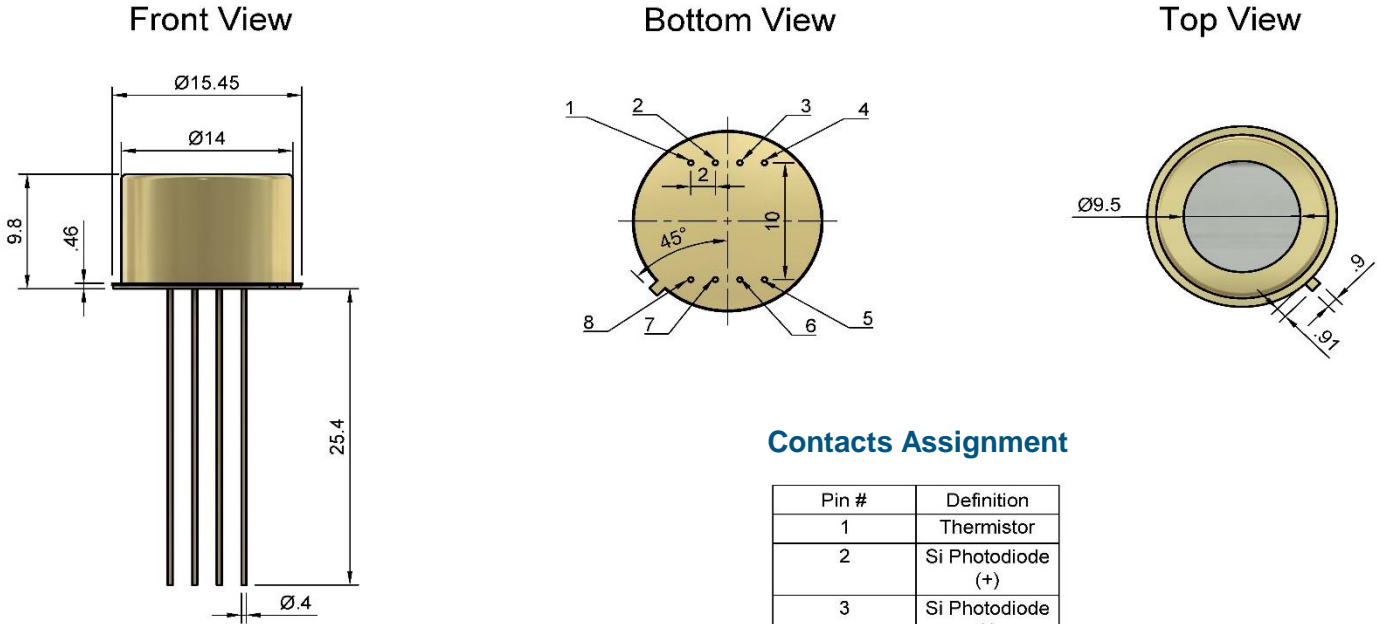
Cooled Photodiode Extended InGaAs

1.2 – 2.6 μm



DATASHEET

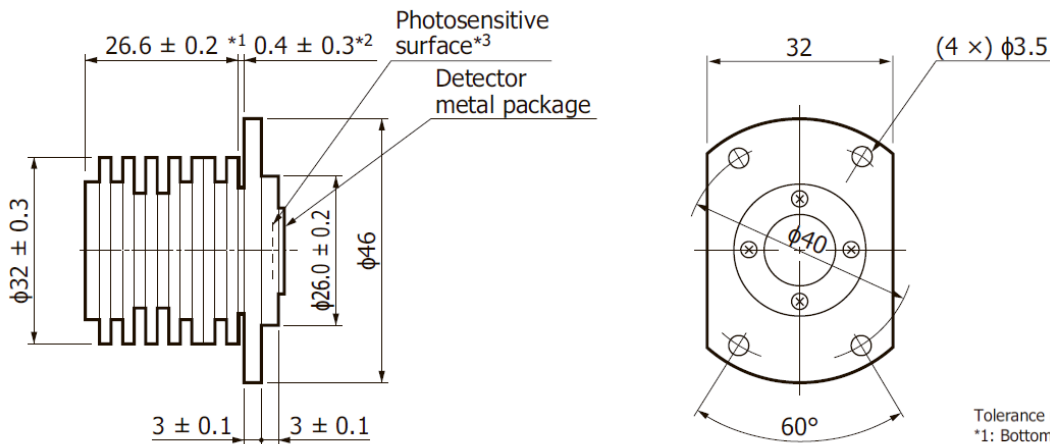
Mechanical Dimensions For Single and Dual Stage TEC Cooling (mm)



Contacts Assignment

Pin #	Definition
1	Thermistor
2	Si Photodiode (+)
3	Si Photodiode (-)
4	Thermistor
5	TEC (-)
6	MEMS Shutter
7	MEMS Shutter
8	TEC (+)

Heatsink For TEC-Cooled Detector (mm)



Weight: 50 g approx.

Tolerance unless otherwise noted: ± 0.3
 *1: Bottom surface (reference surface) of detector metal package
 *2: When detector is installed
 *3: The position of the photosensitive surface differs according to the detector used. Refer to the dimensional outline for the detector.

*Product dimensions may change without notice. This is sometimes required for non-standard specifications.

Cooled Photodiode Extended InGaAs

1.2 – 2.6 μm



DATASHEET

Ordering Information

Prefix	Material Type	TEC Type	Integrated Chopper	Detector Size	Window	AR Coated	Driver
CPOD-	Extended InGaAS = 2	1 stage -10°C = 1 2 stage -20°C = 2 3 stage -40°C = 3	Non = 1 Yes = 2	1mm = 1 3mm = 3 5mm = 5	Quartz = 1 Spectral Filter = S Sapphire = 2	No = 0 Yes = 1	No = 00 Yes = 11

Application Notes